



LENNOX

INNOVATION NEVER FELT SO GOOD.™

LENNOX' MERIT® SERIES

Home Comfort Systems

CBX26UH/CB26UH

Up-flow/horizontal
air handler



Merit® Series CBX26UH/CB26UH Air Handler

Innovation never felt so good.™

Up-flow/horizontal configurations allow maximum flexibility in installation

Model CBX26UH equipped for non-ozone-depleting R410A refrigerant.
Model CB26UH equipped for R22 refrigerant.

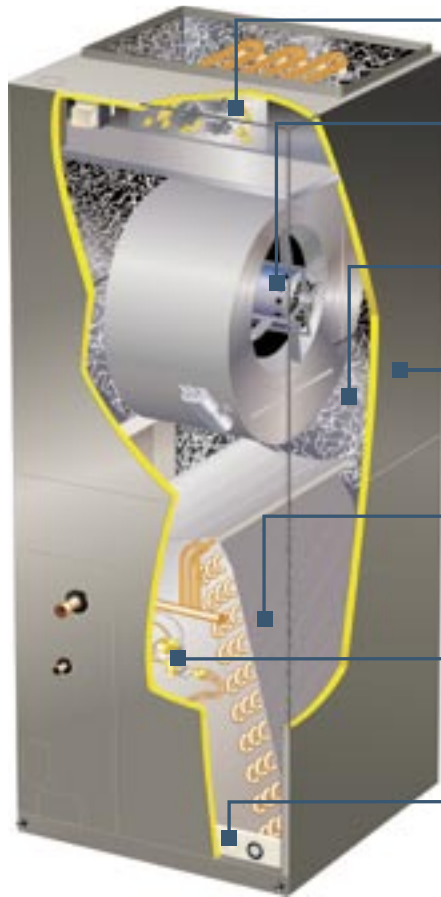
Meets Florida standards for less than 2% air leakage from unit

WARRANTY*

5-year limited warranty on the coil and all covered components.

*Applies to residential applications only. See actual warranty certificate for details.

ECONOMICAL, HIGH-EFFICIENCY COOLING AND HEATING



Optional Electric Heat – Provides supplemental heat for added comfort.

Direct-Drive Blower Motor – Delivers consistent airflow, along with a high level of comfort.

Fully Insulated Cabinet – Reduces sound for quiet operation.

Durable Steel Cabinet – Made to last with an attractive, high-quality textured-paint finish.

High-Efficiency Evaporator Coil – Provides exceptional heat transfer and efficiency.

Efficient Check and Expansion Device – Ensures efficiency across a wide range of operational conditions.

Antimicrobial Drain Pan – Includes an antimicrobial agent that inhibits mold and mildew growth and is made of a durable composite material that won't corrode or rust.



Merit® Series CBX26UH/CB26UH Specifications

CBX26UH/CB26UH		018	024	030	036
Dimensions	HxWxD (in.)	46-3/4 x 18-1/2 x 22	46-3/4 x 18-1/2 x 22	51 x 21-1/4 x 22	51 x 21-1/4 x 22
	HxWxD (mm)	1187 x 470 x 559	1187 x 470 x 559	1295 x 540 x 559	1295 x 540 x 559
CBX26UH/CB26UH		042	048	060	
Dimensions	HxWxD (in.)	54 x 21-1/4 x 26	54 x 21-1/4 x 26	60 x 21-1/4 x 26	
	HxWxD (mm)	1372 x 540 x 660	1372 x 540 x 660	1524 x 540 x 660	

Note: Due to Lennox' ongoing commitment to quality, all specifications, ratings and dimensions are subject to change without notice.



HOME COMFORT SYSTEMS
Innovation never felt so good.™

(95M77) CB26UH 10/05
PC41987

© Lennox Industries Inc. 2005

Visit us at www.lennox.com, or contact us at 1-800-9-LENNOX.